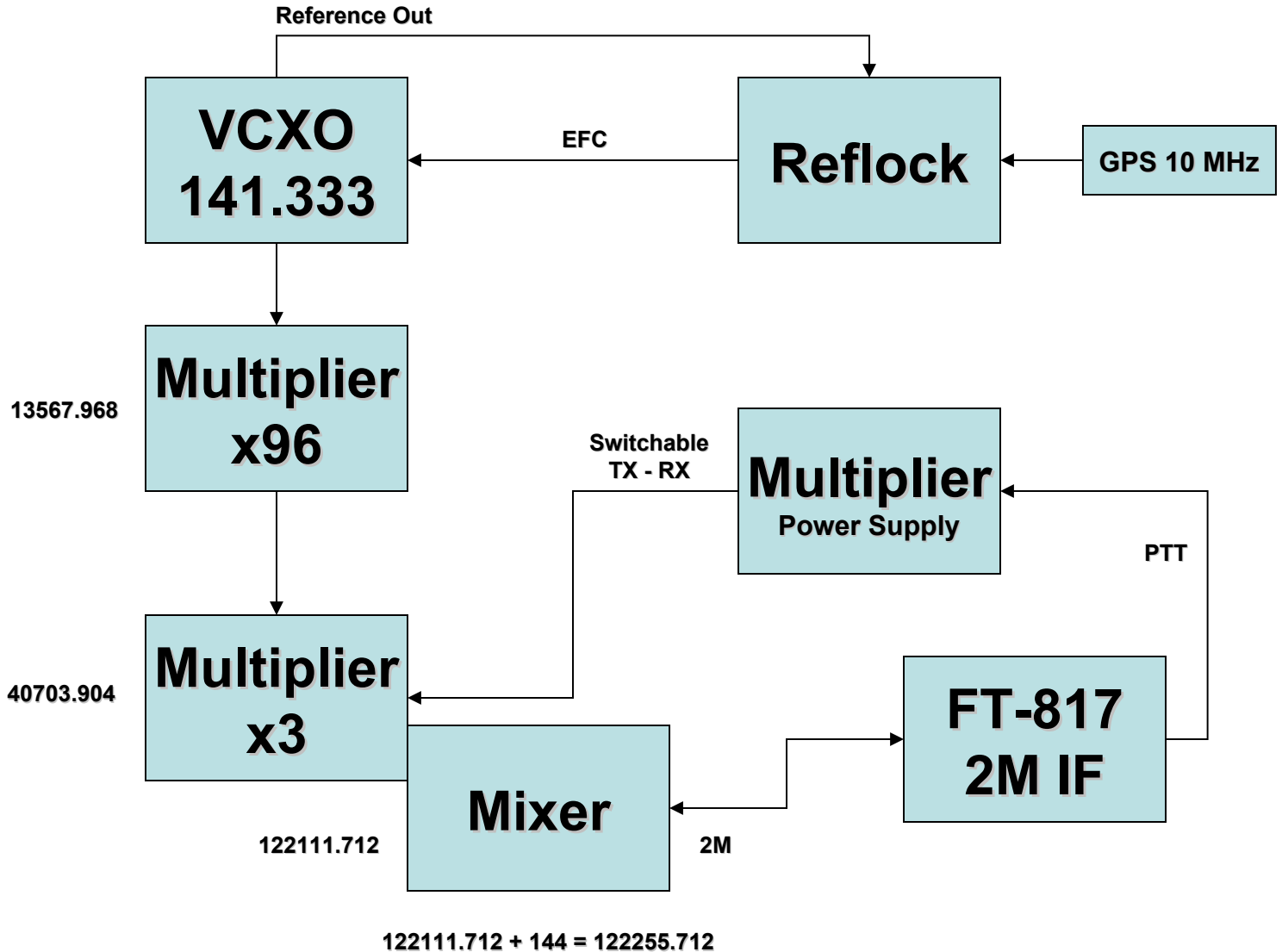


122 GHz



Path Loss Charts. This path loss is ONLY the part due to atmospheric attenuation/absorption. Based on Lieb formulations
Prepared by Brian Justin WA1ZMS. Calculated for Sea Level (standard pressure).

122.8GHz Atmospheric Loss vs. Dew Point

