

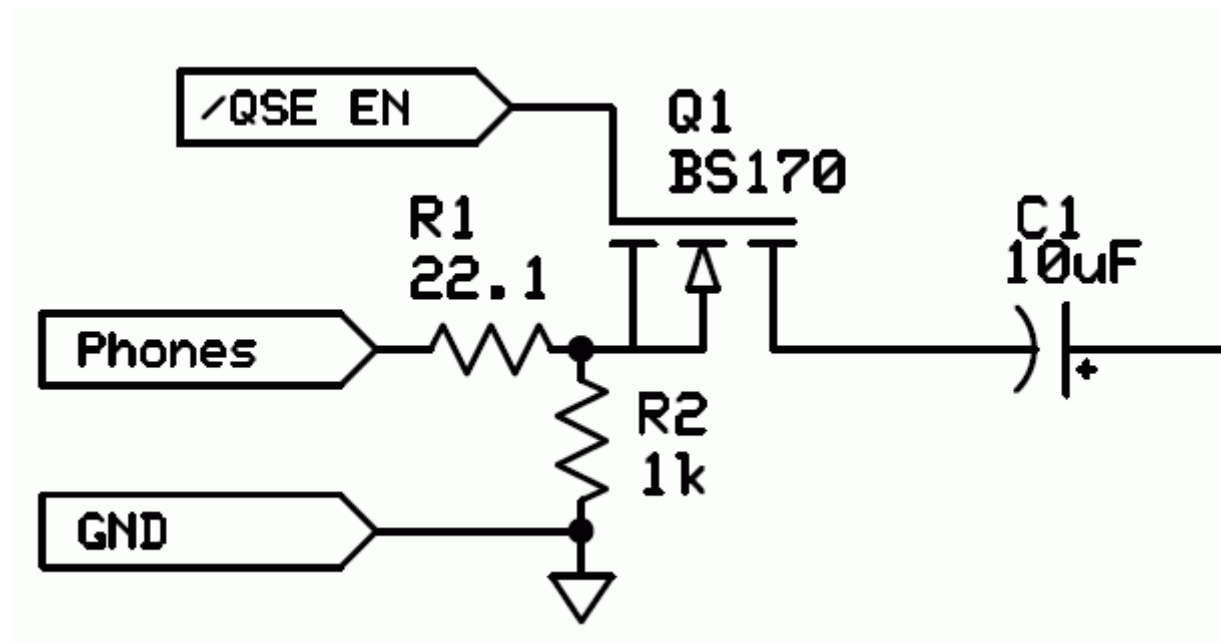
Softrock RXTX V6.2 - 40/30m - Phones Circuit

[Home](#)
[BOM](#)
[Power Supply](#)
[Local Oscillator](#)
[Dividers](#)
[RX RF;](#)
[RX OpAmp](#)
[RX Mixer\(QSD\)](#)
[TX OpAmps](#)
[TX Mixer \(QSE\)](#)
[PTT](#)
[RX Switching](#)
[Phones](#)
[Antenna Switching](#)
[PA Comments](#)

Introduction

This is a trivial little subcircuit that taps into the left channel Line Out feed from the PC to provide sound output to earphones or an external audio amplifier. The sound being provided is the sound card's output when the rig is in RX mode.

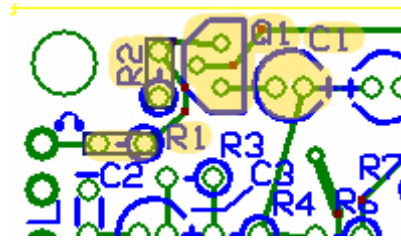
Schematic



Bill of Materials

Designation	Value	Type	Orientation
C01	10uF/16 VDC Electrolytic	East-West	
Q01	BS170 FET	TO 92	
R01	22.1, 1/4 W, 1%	East-West	
R02	22.1, 1/4 W, 1%	South-North	

Build Notes



- First mount Q1
- Then mount the remaining components.

Testing

No tests here.

[Home](#) [BOM](#) [Power Supply](#) [Local Oscillator](#) [Dividers](#) [RX RF;](#) [RX OpAmp](#) [RX Mixer\(QSD\)](#)
[TX OpAmps](#) [TX Mixer \(QSE\)](#) [PTT](#) [RX Switching](#) [Phones](#) [Antenna Switching](#) [PA](#)
[Comments](#)